

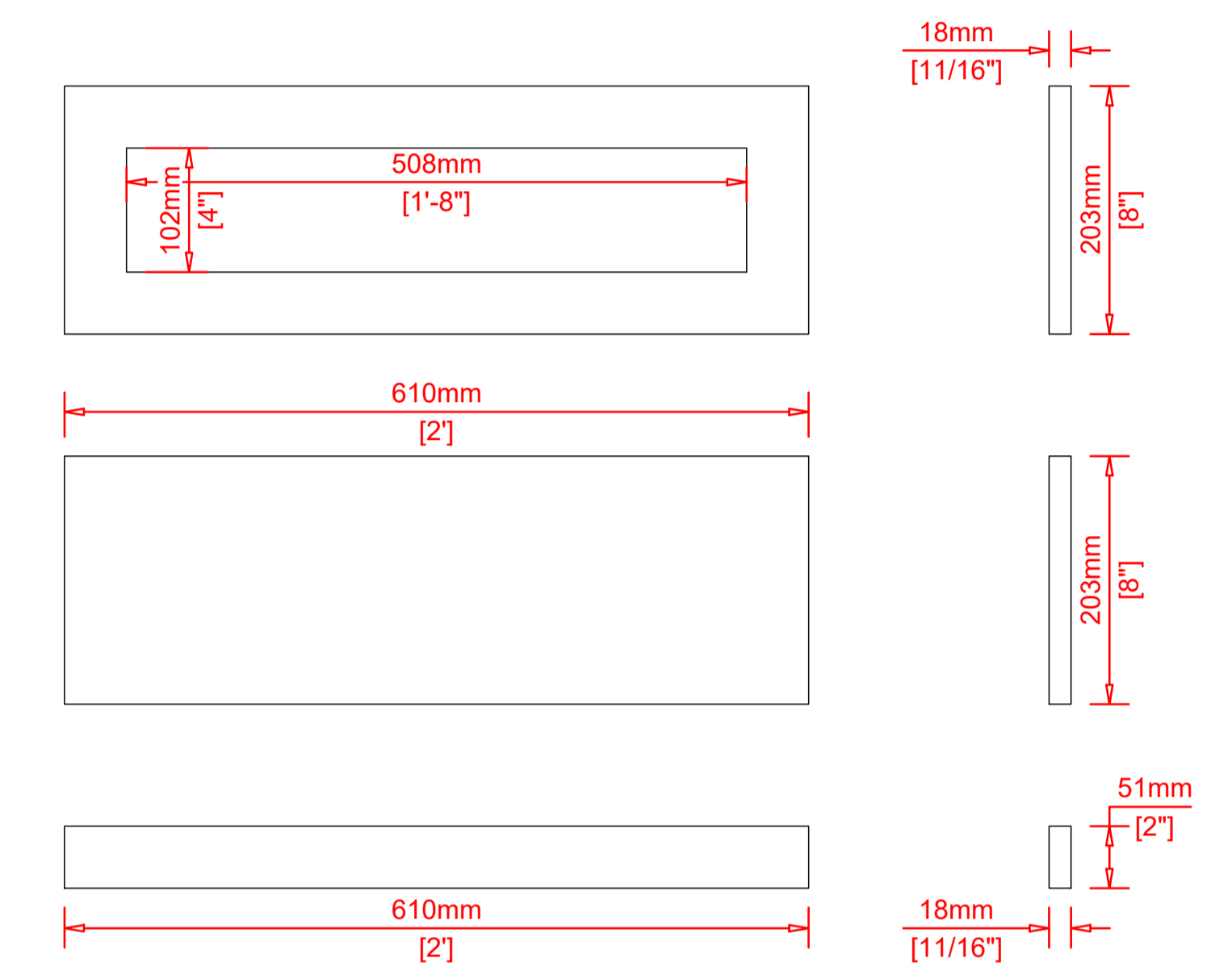
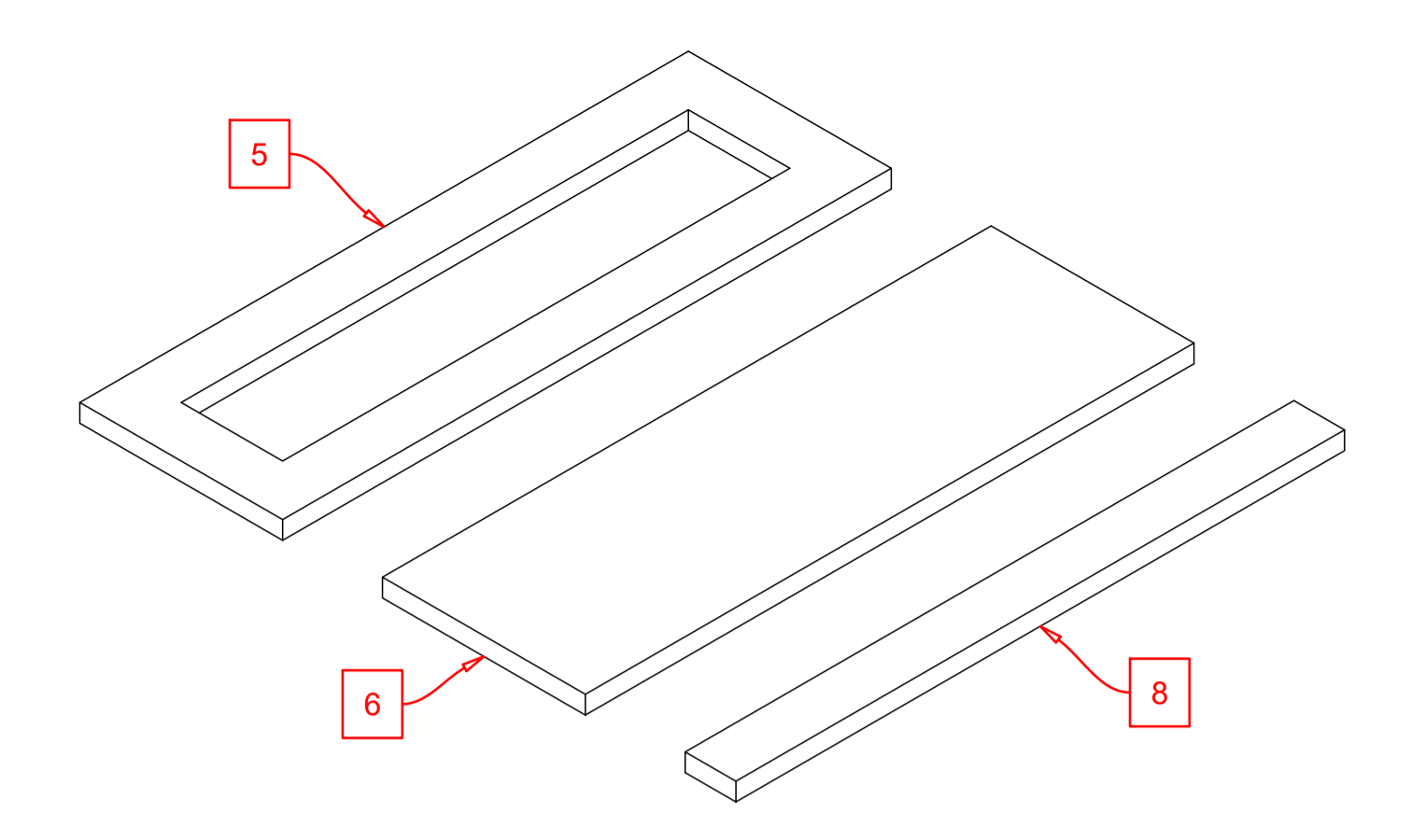
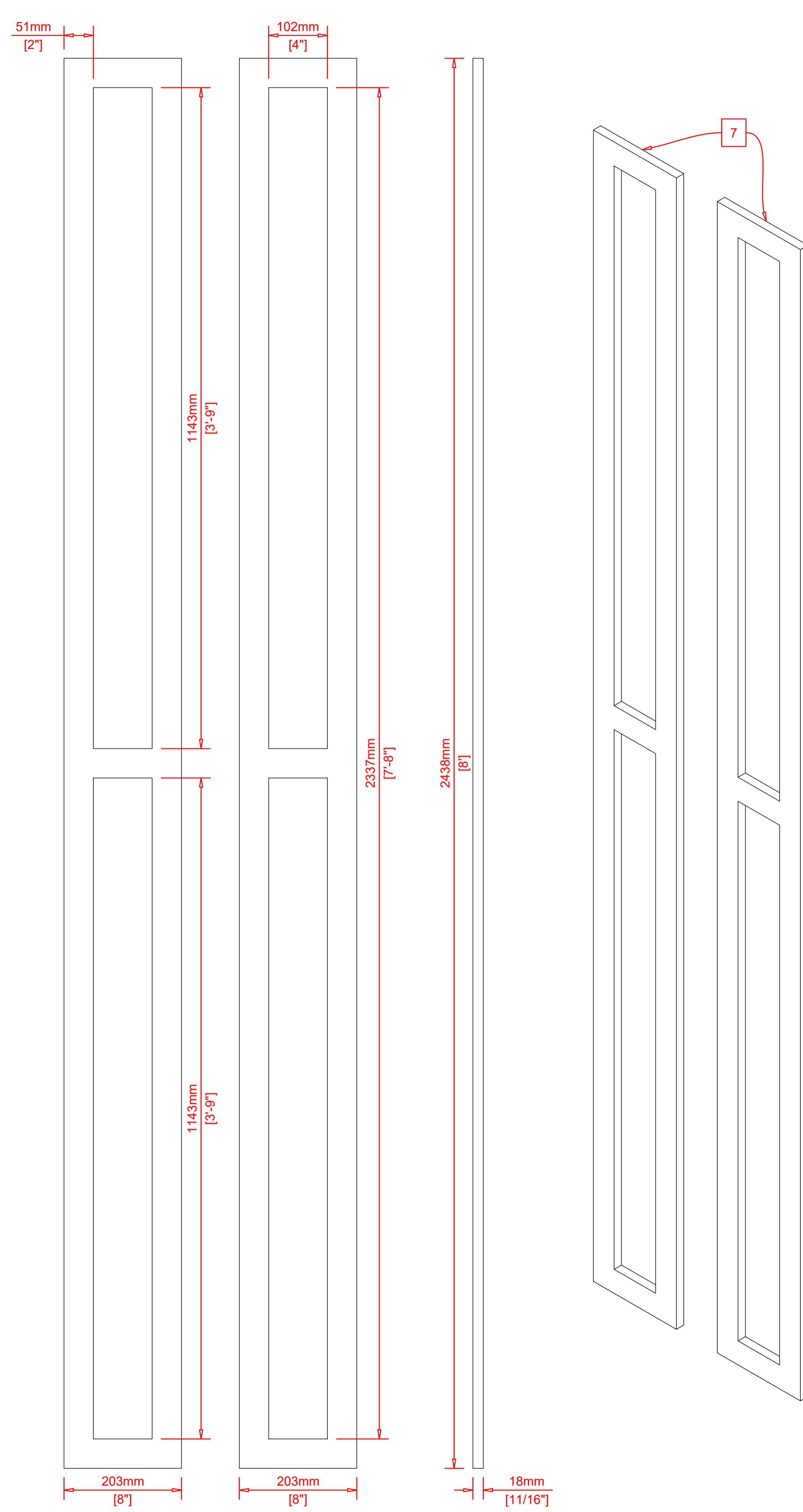
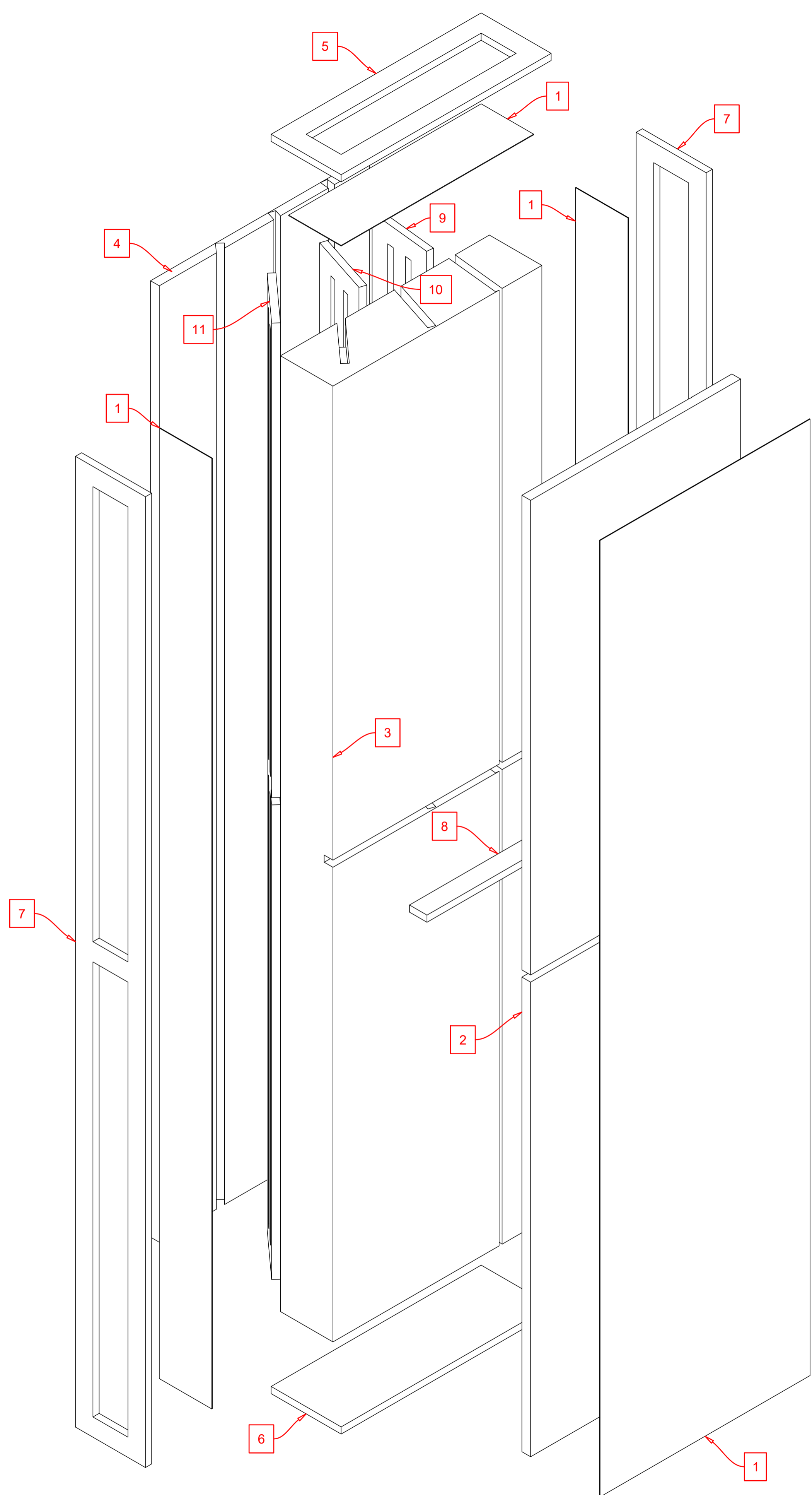
WOOD BLOCKING FOR STRUCTURAL INTEGRITY

Diffraction/Wave Guides

NOTE: These trap sections are not designed as 'panel's. They are incorporated into a treatment 'wall'. When building side-by-side, do NOT use two pieces of wood butted together. Use only one piece of wood to separate the sections!

THIS DRAWING IS PROPERTY OF JH BRANDT AND AS AN INSTRUMENT OF SERVICE, MAY NOT BE ALTERED, REPRODUCED, COPIED OR USED FOR CONSTRUCTION WITHOUT THE WRITTEN PERMISSION OF JH BRANDT. © 2016 all rights reserved.

<p>Recording Studio, Performance Hall, & Architectural Acoustics Consultants</p> <p>Summarecon Bekasi, Cluster Lotus, IA 20 Bekasi, West Java, Indonesia email: john@jbrandt.net web site: http://www.jbrandt.net</p>	Project: 1154-A Trap Section 8 Inch	Designed By: John H. Brandt	
	Client - Name & Address: ALL	Job No.: 1154	Project Date: 06/28/2016
	Scale Metric: 1:5	Checked: John H. Brandt	Date: 05/15/2016
	Sheet: 1 of 3		



Part List		
No.	Name	Description
1	Fabric	Low GFR 'acoustic' fabric like - https://www.guilfordofmaine.com/acoustic , http://www.acoustimac.com/acoustic-insulation-materials/acoustically-transparent-fabric?limit=all , https://fabricmate.com/fabric/acoustic-fabrics , or SIMILAR. You must be able to breathe through it easily! GFR = 2000 mk/rayls
2	Polyester - Dacron	http://www.alanrichardttextiles.com/store/UD3010.html or http://www.thefoamfactory.com/accessories/dacron.html (use the medium), or SIMILAR
3	Lightweight Fiberglass	'fluffy stuff' - 10 - 15 kg/m³ GFR = 5600 mk/rayls
4	Rockwool / Rigid Fiberglass	Rigid 40 - 50 kg/m³ (3 pcf) GFR = 24000 mk/rayls
5	Top Frame	Use the wood of your choice. Solid wood, MDF, OSB, or Plywood - It depends on the finish that YOU require and the technique used to attach the fabric.
6	Bottom Frame	SEE ABOVE
7	Side Frame	SEE ABOVE
8	Frame Support / Blocking	SEE ABOVE
9 thru 11	Diffraction/Wave Guides	SEE ABOVE

THIS DRAWING IS PROPERTY OF JH BRANDT AND AS AN INSTRUMENT OF SERVICE, MAY NOT BE ALTERED, REPRODUCED, COPIED OR USED FOR CONSTRUCTION WITHOUT THE WRITTEN PERMISSION OF JH BRANDT. © 2016 all rights reserved.

**Recording Studio,
Performance Hall, &
Architectural Acoustics
Consultants**

Summarecon Bekasi, Cluster Lotus, IA 20
Bekasi, West Java, Indonesia
email: john@jbrandt.net
web site: <http://www.jbrandt.net>

Project : 1154-A Trap Section 8 Inch

Client - Name & Address : ALL

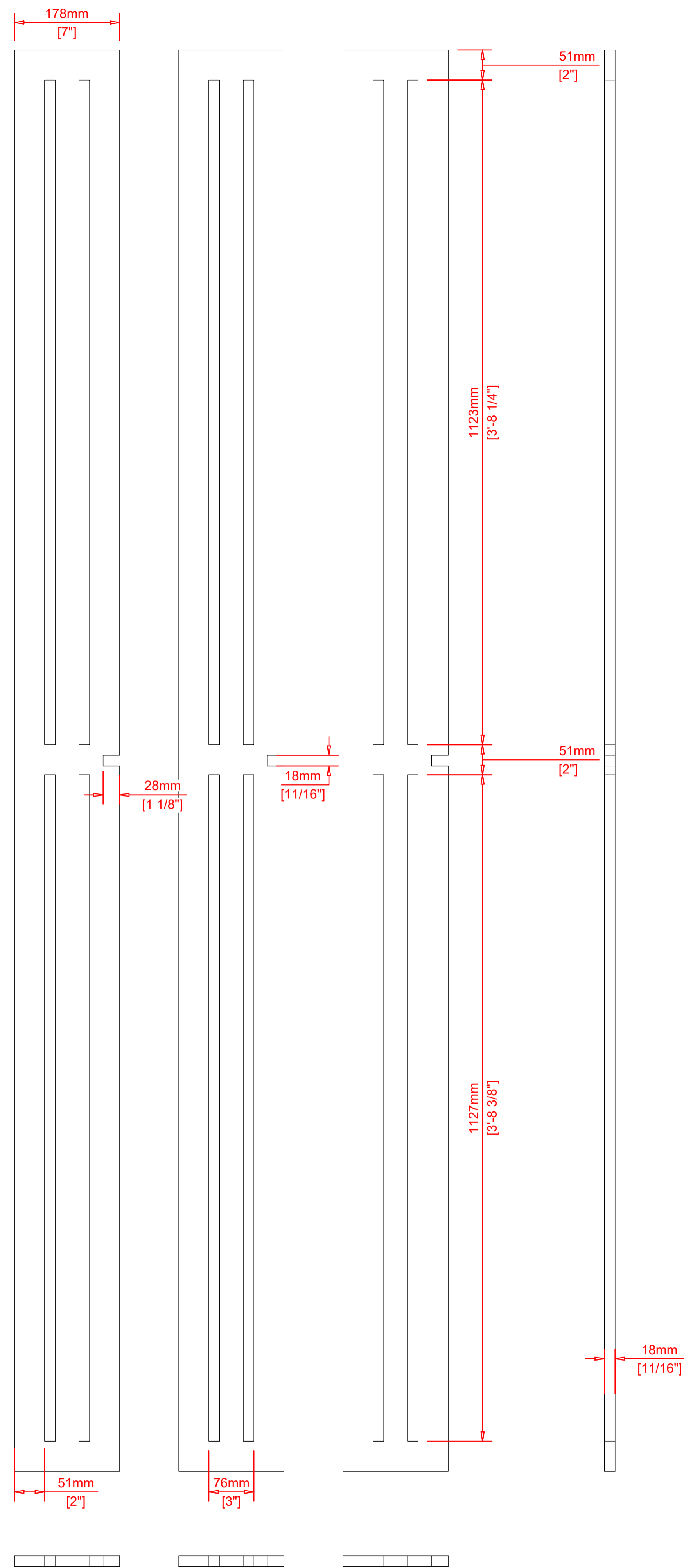
Scale Metric : 1 : 5

Designed By : **John H. Brandt**

Job No : 1154

Project Date : 06/28/2016

Sheet : **2 of 3**



Diffraction/Wave Guides

EFFECTIVE RESPONSE AT 0 DEGREE INCIDENCE

